

UCL Louvain (L. Bonnet, V. Lemaître, X. Rouby)
vincent.lemaitre@fynu.ucl.ac.be



In collaboration with

RWTH Aachen (M. Axer, F. Beissel, T. Franke, J. Mnich)

IRES Strasbourg (JD. Berst, P. Graehling, P. Juillot, C. Maazouzi)

<http://www.fynu.ucl.ac.be/themes/he/cms/activities/tracker/hybrids.html>



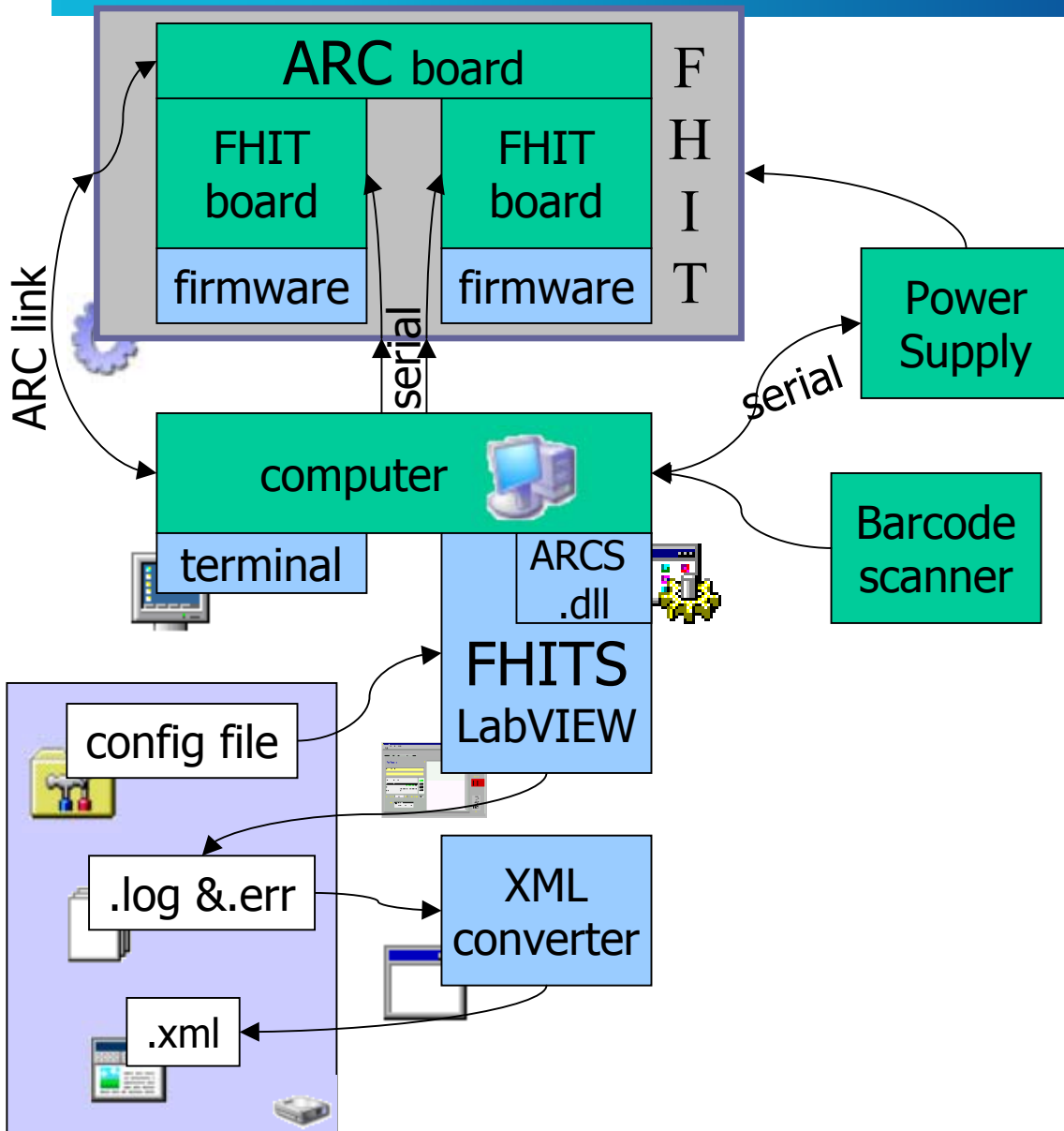
Contents



- Setup summary : dual-FHIT & LFHIT
- Firmware : rev24
- FHITS : v2.4
- XML-converter : v1.2

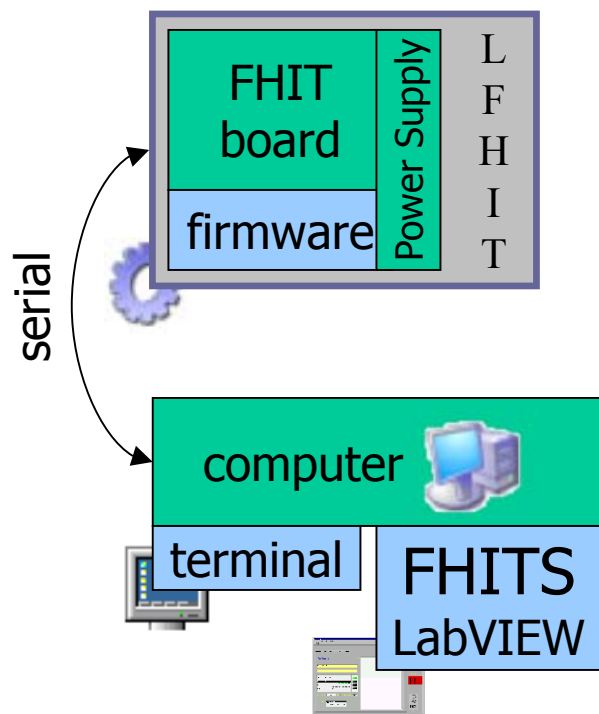


Setup summary : dual-FHIT



dual-FHIT setup :
 plug, scan barcode
 & wait 1min for result





LFHIT setup :
 plug, push START
 & wait 20s for green light



- the link is serial, but you can buy a *SERIAL2USB* link, it still works...
- test ~ 20s (CT, ET @ Vnom)
- no output file in terminal mode
- FHITS could be used to get output files...
- Some LFHIT's are under construction



Firmware rev24

- update of the *detector return* (IDET) test details
- small output changes
- ready @ 99%... Available this week
- rev24 is needed for FHITS 2.4 !
- how to update ? see website...



Mechanics

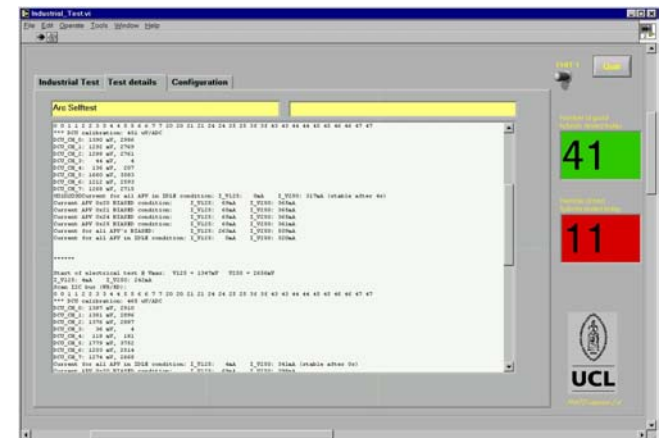
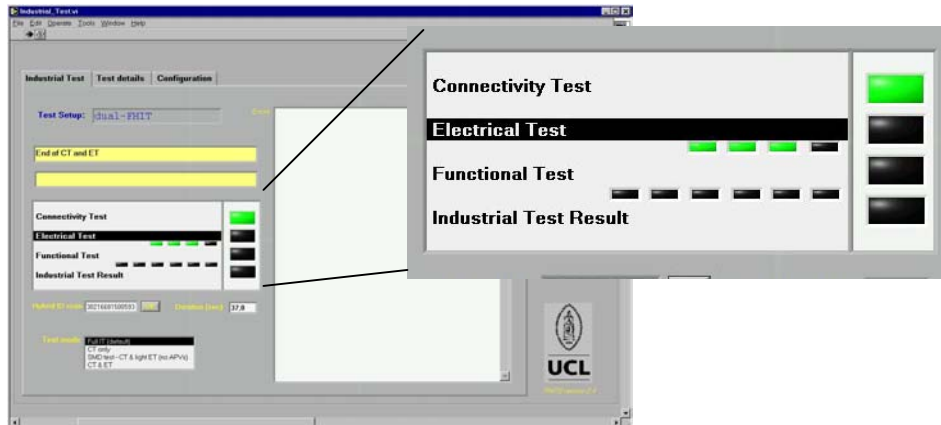
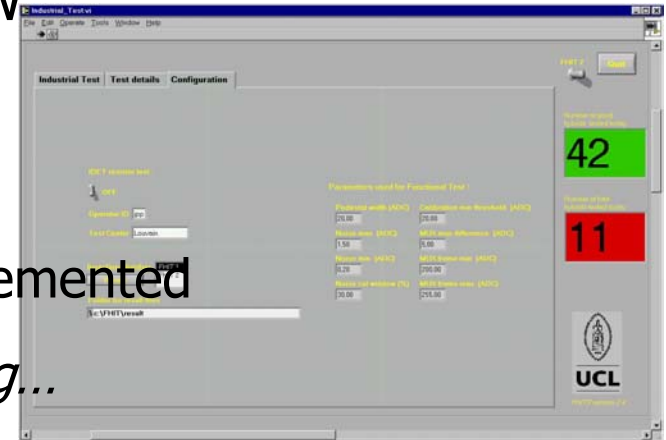
- in the industry for months, we are waiting for any feedback



FHITS v2.4

FHITS (LabVIEW) : v2.4 available now

- User interface updated
- Some code refresh
- Test on values from electrical test implemented
cuts have to be defined in Strasbourg...
- Installed with new firmware in industry next week
- Based on ARCS 5.0





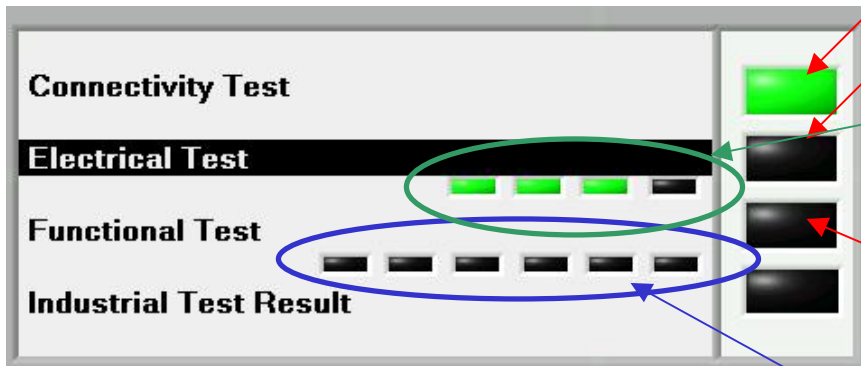
- New : now 3 tables
Production [HSA], Reception [CERN], QA [Strasbourg]
new tags for FHIT calibration
- XML converter ready for FHITS 2.4 & firmware rev24
- Compatibility with old files not true anymore since last weeks
will be updated soon...
- New feature : log file for screen output



XML : error codes



For your information : LEDs in FHITS = error codes in XML



- :0: Grade A**
- :1: Grade B**
- :-1: CT has failed**
- :-2x: ET has failed**
- :-21: I2C problem
- :-22: Electrical parameter error
- :-23: Detector return error
- :-24: ET data out of range
- :-3x: FT has failed**
- :-31: ARC selftest error
- :-32: I2C access test error
- :-33: APV Data output error
- :-34: MUX resistor test error
- :-35: Pedestal and noise error
- :-36: Calibration test (gain) error



Summary



- FHITS v2.4 available & installed in industry next week
- firmware rev24 available by the end of the week
& installed in industry next week
- XML converter ready for FHITS v2.4 ;
but not ready for old hybrids (available soon)
- new LFHIT's under construction
- Update of documentation soon